

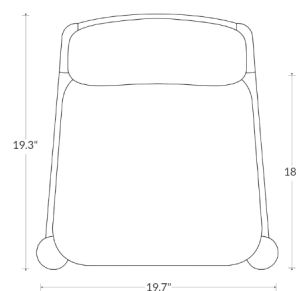
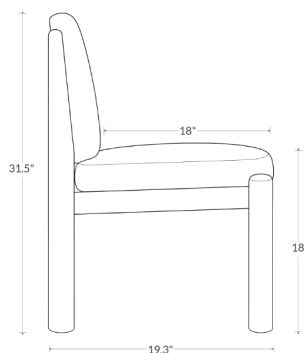
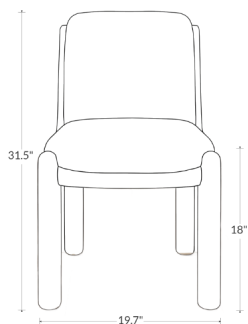


Articture — Dining Chairs

Cove Dining Chair

The Cove Dining Chair pairs a kiln-dried hardwood frame — joined with traditional mortise-and-tenon construction and corner-blocked for structural integrity — with an ergonomically contoured upholstered back and multi-density foam seat cushion. Available in White Oak or Walnut, with a choice of Shaggy Luxe, or Shearling upholstery, it brings quiet warmth and considered comfort to the dining space

Available in 8–10 weeks custom upholstery orders available upon request



DIMENSIONS

TOTAL WIDTH 19.7"	TOTAL DEPTH 19.3"	TOTAL HEIGHT 31.5"	SEAT HEIGHT 18"	SEAT DEPTH 18"	ARMREST HEIGHT N/A <i>(if option available)</i>
----------------------	----------------------	-----------------------	--------------------	-------------------	---

CONSTRUCTION & MATERIALS

<p>UPHOLSTERY</p> <p>AVAILABLE MATERIALS</p> <p>Shaggy Luxe and Shearling in White Oak & Walnut</p>	<p>CUSHION</p> <p>SEAT CUSHION</p> <p>Multi-density foam cushioning wrapped in fiber for a balanced supportive seat.</p> <p>BACK CUSHION</p> <p>Upholstered back with ergonomic contour for extended comfort.</p>	<p>FRAME & SUSPENSION</p> <p>FRAME</p> <p>Kiln-dried hardwood frame with reinforced joinery for lasting durability.</p> <p>SUSPENSION</p> <p>Traditional mortise-and-tenon craftsmanship with corner-blocked support.</p>
---	--	--