

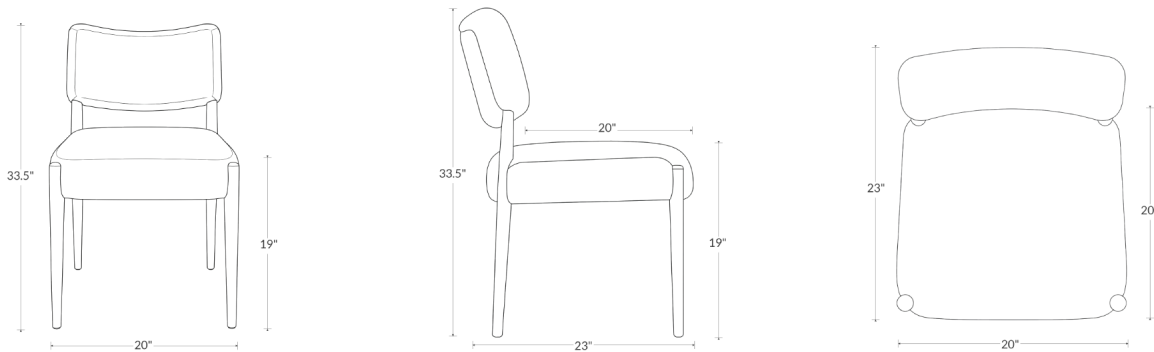


Articture – Noma Dining Chair

Noma Sheepskin Dining Chair

The Noma Sheepskin Dining Chair pairs a kiln-dried hardwood frame - constructed with traditional mortise-and-tenon joinery and corner-blocked support - with multi-density foam seating and an ergonomically contoured back, all finished in your choice of Shaggy, Luxe, or Shearling upholstery.

In stock and made to order. Trade professionals are encouraged to reach out.



DIMENSIONS

TOTAL WIDTH 20"	TOTAL DEPTH 23"	TOTAL HEIGHT 33.5"	SEAT HEIGHT 19"	SEAT DEPTH 20"	ARMREST HEIGHT N/A <small>(if option available)</small>
--------------------	--------------------	-----------------------	--------------------	-------------------	---

CONSTRUCTION & MATERIALS

<p>UPHOLSTERY</p> <p>AVAILABLE MATERIALS</p> <p>Shaggy, Luxe, and Shearling</p>	<p>CUSHION</p> <p>SEAT CUSHION</p> <p>Multi-density foam cushioning wrapped in fiber for a balanced, supportive seat.</p> <p>BACK CUSHION</p> <p>Upholstered back with ergonomic contour for extended comfort.</p>	<p>FRAME & SUSPENSION</p> <p>FRAME</p> <p>Kiln-dried hardwood frame with reinforced joinery for lasting durability.</p> <p>SUSPENSION</p> <p>Traditional mortise-and-tenon craftsmanship with corner-blocked support.</p>
---	---	--