

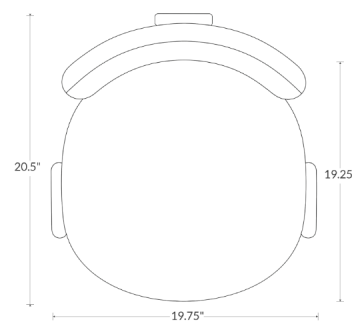
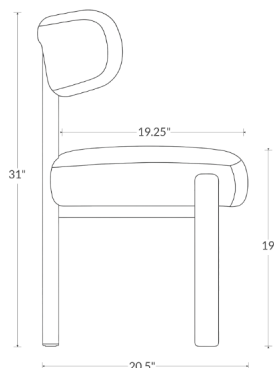
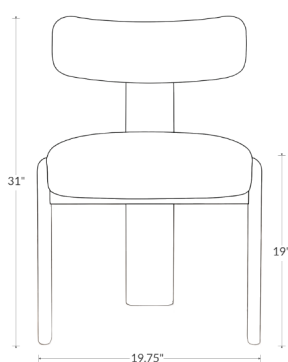


Articture — Dining Chairs

## Aris Dining Chair

The Aris Dining Chair pairs a kiln-dried hardwood frame—crafted with mortise-and-tenon joinery and corner-blocked support—with an ergonomically contoured upholstered back and multi-density foam seat cushion. Available in White Oak and Walnut frames with a choice of Shaggy Luxe, or Shearling upholstery, it brings quiet refinement to the dining room.

*Available in 8–10 weeks custom upholstery orders available upon request*



### DIMENSIONS

TOTAL WIDTH 19.75"	TOTAL DEPTH 20.5"	TOTAL HEIGHT 31"	SEAT HEIGHT 19"	SEAT DEPTH 19.25"	ARMREST HEIGHT N/A <i>(if option available)</i>
-----------------------	----------------------	---------------------	--------------------	----------------------	---

### CONSTRUCTION & MATERIALS

<p><b>UPHOLSTERY</b></p> <p><b>AVAILABLE MATERIALS</b></p> <p>Shaggy Luxe and Shearling in White Oak &amp; Walnut</p>	<p><b>CUSHION</b></p> <p><b>SEAT CUSHION</b></p> <p>Multi-density foam cushioning wrapped in fiber for a balanced supportive seat.</p> <p><b>BACK CUSHION</b></p> <p>Upholstered back with ergonomic contour for extended comfort.</p>	<p><b>FRAME &amp; SUSPENSION</b></p> <p><b>FRAME</b></p> <p>Kiln-dried hardwood frame with reinforced joinery for lasting durability.</p> <p><b>SUSPENSION</b></p> <p>Traditional mortise-and-tenon craftsmanship with corner-blocked support.</p>
---	--	--